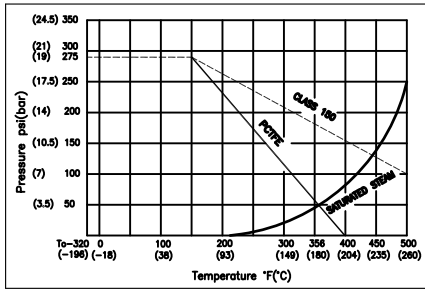
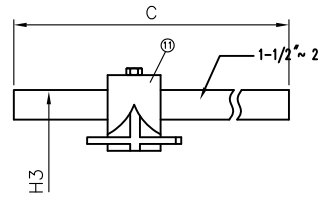
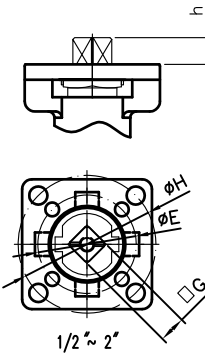
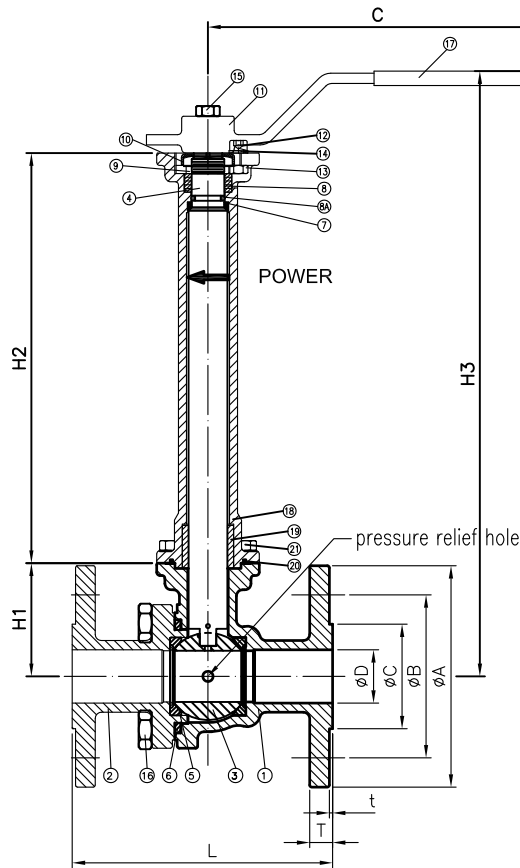
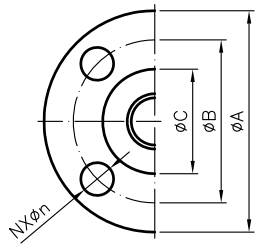
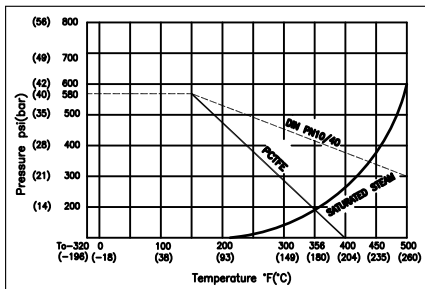


AF-51C ANSI CLASS 150



AF-53C DIN PN10/40 F4



- Model No.: AF-51C ANSI Class 150 / AF-53C PN10-40
- Blow-out proof stem.
- Built-in ISO 5211 mounting pad for easy automation.
- Anti-static devices for ball-stem-body.
- Semi-encapsulated ball seats for cold flow resistance.
- Investment casting up to 1/2" ~ 2".
- Wide range of seat material selection.
- Heavy duty body & end cap construction with traceable heat number.
- Pressure balance hole in ball slot.
- Pressure self relief seat to prevent pressure built up.
- Viton O-Ring on Stem gives extra support and assurance of tightness.

ITEM	Description	Material	Q'ty
1	Body	CF8M	1
2	End Cap	CF8M	1
3	Ball	CF8M	1
4	Anti Static Stem	17-4 PH SS	1
5	Ball Seat	PCITFE(KEL-F)	2
6	Body Seal	316 SPIRAL WOUND+GRAFOIL	1
7	Thrust Washer	PCITFE(KEL-F)	1
8A	O-Ring	VITON	1
8	Stem Packing	PCITFE(KEL-F)	5
9	Stem Nut	SS304	1
10	Lock Saddle	SS304	1
11	Handle	SS304	1
12	Stop Bolt	SS304	1
13	Stop Nut	SS304	1
14	Stop Washer	SS304	1
15	Handle Bolt	SS304	1
16	Body Bolt	SS304	4
17	Handle Sleeve	VINYL	1
18	Extension	CF8M	1
19	Thrust Bearing	25XCARBPN/75XPTFE	1
20	Extension Gasket	GRAFOIL	1
21	Extension Bolt	SS304	4

DIMENSIONS (mm)
AF-51C ANSI CLASS 150

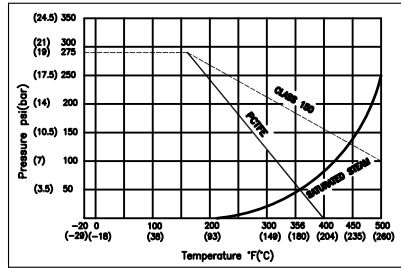
SIZE	ØD	ØC	ØB	ØA	H1	H2	H3	L	T	t	Øn	N	C	h	ØG	ØE	ØH
1/2"	15	35	60.5	89	48.0	200	282	108	10.5	1.6	16	4	156	8	9	F04	F05
3/4"	20	43	70	98.6	53.0	200	287	118	10.5	1.6	16	4	156	8	9	F04	F05
1"	25	51	79.5	108	58.0	200	297	127	11.2	1.6	16	4	181	10	11	F05	F07
1-1/2"	38	73	98.5	127	76.2	300	421	165	14.2	1.6	16	4	395	13	14	F07	F10
2"	50	92	120.5	152.5	85.2	300	430	178	16	1.6	19	4	395	13	14	F07	F10

DIMENSIONS (mm)
AF-53C DIN PN10/40 F4

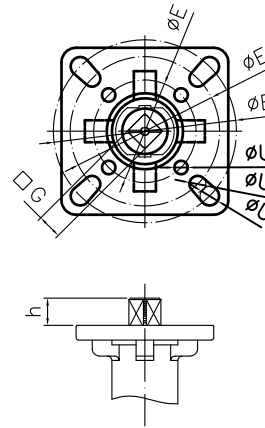
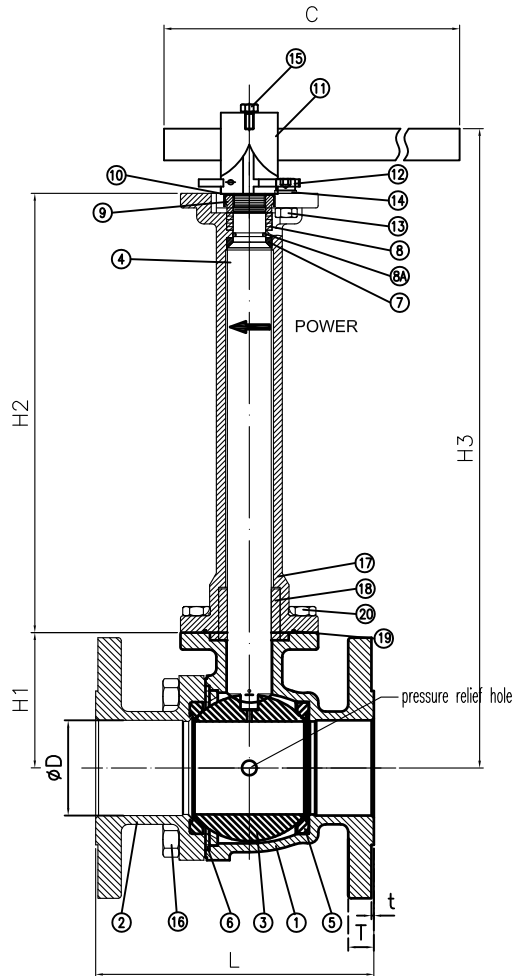
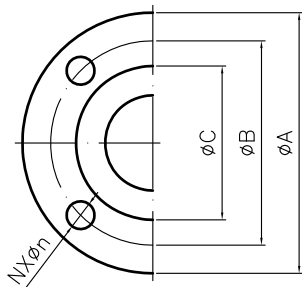
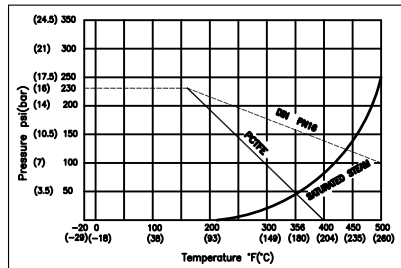
SIZE	ØD	ØC	ØB	ØA	H1	H2	H3	L	T	t	Øn	N	C	h	ØG	ØE	ØH
DN15	15	45	65	95	48.0	200	282	115	16	2	14	4	156	8	9	F04	F05
DN20	20	58	75	105	53.0	200	287	120	18	2	14	4	156	8	9	F04	F05
DN25	25	68	85	115	58.0	200	297	125	18	2	14	4	181	10	11	F05	F07
DN40	38	88	110	150	76.2	300	421	140	18	3	18	4	395	13	14	F07	F10
DN50	50	102	125	165	85.2	300	430	150	20	3	18	4	395	13	14	F07	F10

						Class 150	MATERIAL	APPROVE	CHECK	DRAWN By Lawrence
						1/2"~2"	SCALE	FREE	UNIT	DATE 2010.03.18
						PN10/40	PART NO	AF-51C	Q'TY	
						DN15~50	OTHER	DWG NO	AF-51C	TITLE
										Cryogenic Direct Mount Flanged Ball Valve
REV	DATE	DESCRIPTION	CODE	REVISOR	REMARKS	Anson Flow Corp.				

AF-51C ANSI CLASS 150



AF-53C DIN PN16 F4



ITEM	Description	Material	Q'ty
1	Body	CF8M	1
2	End Cap	CF8M	2
3	Ball	CF8M	1
4	Anti Static Stem	17-4 PH SS	1
5	Ball Seat	PCTFE(KEL-F)	2
6	Body Seal	GRAFOIL	2
7	Thrust Washer	PCTFE(KEL-F)	1
8A	O-Ring	VITON	1
8	Stem Packing	PCTFE(KEL-F)	5
9	Stem Nut	SS304	1
10	Lock Saddle	SS304	1
11	Handle	SS304	1
12	Stop Bolt	SS304	1
13	Stop Nut	SS304	1
14	Stop Washer	SS304	1
15	Handle Bolt	SS304	1
*16	Body Bolt	SS304	4
17	Extension	CF8M	1
18	Thrust Bearing	25%CARBPN/75%PTFE	1
19	Extension Gasket	GRAFOIL	1
20	Extension Bolt	SS304	4

*16 Body Bolt 3" 6
4" 8

DIMENSIONS (mm)
AF-51C ANSI CLASS 150

SIZE	ϕD	ϕC	ϕB	ϕA	H1	H2	H3	L	T	t	ϕn	N	C	h	ϕG	ϕF	ϕE	U
3"	80	127	152.5	190.5	101.9	301	448	203.0	19.1	1.6	19	4	495	19	17	22	F07/F10/F12	$\phi 9/\phi 11/\phi 13$
4"	100	157	190.5	229.0	123.5	301	469	229.0	23.9	1.6	19	8	650	21	22	28	F07/F10/F12	$\phi 9/\phi 11/\phi 13$

DIMENSIONS (mm)
AF-53C DIN PN16 F4

SIZE	ϕD	ϕC	ϕB	ϕA	H1	H2	H3	L	T	t	ϕn	N	C	h	ϕG	ϕF	ϕE	U
DN80	80	138	160	200	101.9	301	448	180	20	3	18	8	495	19	17	22	F07/F10/F12	$\phi 9/\phi 11/\phi 13$
DN100	100	158	180	220	123.5	301	469	190	20	3	18	8	650	21	22	28	F07/F10/F12	$\phi 9/\phi 11/\phi 13$

REV	DATE	DESCRIPTION	CODE	REVISER	REMARKS	MATERIAL	APPROVE	SCALE	FREE	UNIT	CHECK	DATE	DRWN BY	Lawrence
						Class 150		3"~4"	FREE	mm		2010.03.18		
						PN16			PART NO	AF-51C				
						DN80~100			DWG NO	AF-51C				
											TITLE			Cryogenic Direct Mount Flanged Ball Valve
														Anson Flow Corp.